



OUT OF THE BOX



The Samsung SNO-6084R/ANP camera with Arteco pre-installed App combines license plate reading with video surveillance

GATE – Automatic Number Plate Reader

ANPR typical usage

includes access control at car entry barriers, crime prevention by recording entering traffic and employee time/attendance monitoring.

The Samsung SNO-6084R camera

has been certified and tested by Arteco.

Configuration & management

is easy, because the camera has the ability to create and manage a database of license plates by matching ANPR detected plates against a plate in the database.

Event notifications

are generated when a plate is recognized, allowing access control operations (like opening/closing a barrier directly through the camera Output) bookmarking video recordings on Samsung NVR, or sending specific reports (SMS, mail, FTP snapshots).

Recognition:

A simple rectangle surrounds the number plate image when a plate is recognised, whilst in the top left image corner another display clearly confirms the number removing any ambiguity.

Accuracy measurement

The data immediately after the number plate string shows the accuracy score of the reading.

Optimisation

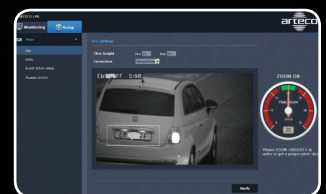
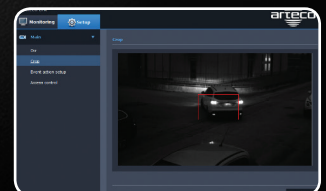
A gauge also appears on the right hand side allowing the Samsung camera installer to zoom in or out if the plate is too big or small for optimal reading.

Sensitive zone

The Arteco App for Samsung provides a menu to define an active frame where the plate will be read. This can be moved by click and drag with the mouse.

Light sensitivity settings

can be configured on camera for perfect picture quality.



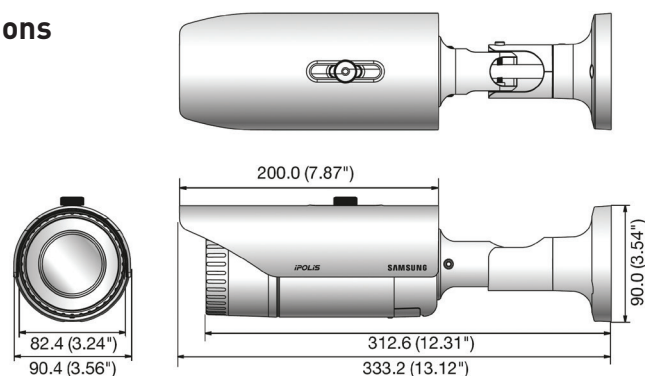
Specifications

- Max. 2M (1920 x 1080) resolution, 1080p Full HD support
- 60fps@1080p Full HD
- Simple focus
- 3 ~ 8.5mm (2.8x) motorized varifocal lens
- Day & Night (ICR), Enhanced DIS, Defog
- WDR (100dB, 30fps@2MP)
- Built-in SD/SDHC/SDXC memory slot
- Multi-crop streaming, IP66, IK10



| SNO-6084R/ANP | |
|--|---|
| CAMERA | |
| Max distance lens to number plate | 3m to 8m (tolerance for different country number plate sizes and fonts) |
| Max height lens to number plate | 1,5m (at 3m distance) to 3.5m (at 8m distance) |
| Max vehicle speed | Camera & software can be calibrated to read number plates up to 10km/h. Ideally the vehicle should stop in front of the gate/camera to ensure accuracy. |
| Max plate rate reading | H: 1 plate every second. |
| Match plates file | the App includes capacity to upload a plate list for access control matching; the maximum file size is 16KB (more than 1000 plates) |
| The Arteco App is programmed to read plates from the following countries | Albania, Austria, Bulgaria, Czech Republic, Denmark, Estonia, France, Greece, Hungary, Italy, Latvia, Lithuania, Moldova, Montenegro, Holland, Poland, Romania, Slovakia, Slovenia, Spain, San Marino, Sweden (new plates), United Kingdom. |

Dimensions



■ DISTRIBUTED BY

