

SCV-2082R

Upgraded image quality



SCV-2082R

Premium Resolution Vandal-Resistant IR Dome Camera

- High resolution of 700TV lines
- Min. Illumination 0Lux (IR LED on), IR distance 20m
- 3.6x varifocal lens (2.8 ~ 10mm)
- Day & Night (ICR), SSNRIII, Defog
- Coax : Pelco-C (Coaxitron), Dual power
- IP66

The SCV-2082R is a discreet general purpose analog vandal-resistant dome camera suitable for a wide range of applications. It incorporates the 6th generation Winner engine from Samsung Techwin that features premium level resolution at 700TV lines in sharp mode and other core functionalities such as SSNRIII, day & night(ICR), and defog. It can capture images within 20 meters in extremely low or no lighting using its built-in IR LED lamps, the SCV-2082R would be a perfect solution for who is looking for a cost effective high quality video surveillance camera.

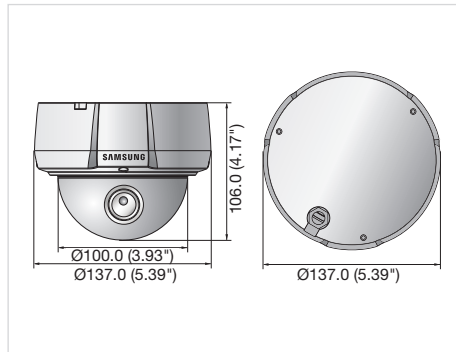


Specifications

	SCV-2082RN	SCV-2082RP
VIDEO		
Imaging Device	1/3" Super HAD CCD II	
Total Pixels	1,020(H) x 508(V)	1,020(H) x 596(V)
Effective Pixels	976(H) x 494(V)	976(H) x 582(V)
Scanning System	2 : 1 Interlace	
Synchronization	Internal / Line lock	
Frequency	H : 15.734KHz / V : 59.94Hz	H : 15.625KHz / V : 50Hz
Horizontal Resolution	700TV lines (ER mode)	
Min. Illumination	Color : 0.15Lux@F1.2 (50IRE), 0.0002Lux (Sens-up, 512x) B/W : 0 LUX (IR LED on)	
S / N Ratio	52dB (AGC off, Weight on)	
Video Output	CVBS : 1.0 Vp-p / 75Ω composite	
LENS		
Focal Length (Zoom Ratio)	2.8 ~ 10mm (3.6x)	
Max. Aperture Ratio	1 : 1.2(Wide) ~ 2.8(Tele)	
Angular Field of View	H : 94.4°(Wide) ~ 28°(Tele) / V : 69.2°(Wide) ~ 21°(Tele)	
Min. Object Distance	0.2m (0.66ft)	
Lens Type	DC auto iris	
Mount Type	Board type	
PAN / TILT		
Pan Range	0° ~ 352°	
Tilt Range	0° ~ 73°	
Rotate Range	0° ~ 348°	
OPERATIONAL		
On Screen Display	English, Japanese, Spanish, French, Portuguese, Korean	English, French, German, Spanish, Italian, Chinese, Russian, Polish, Czech, Romanian, Serbian, Swedish, Danish, Turkish, Portuguese
Camera Title	Off / On (Displayed 15 characters)	
Day & Night	Auto (ICR) / Color / B/W / External D/N	
Backlight Compensation	Off / BLC / HLC	
Contrast Enhancement	SSDR (Off / On)	
Digital Noise Reduction	SSNRIII (Off / On)	
Defog	Off / Auto / Manual	
Motion Detection	Off / On	
Privacy Masking	Off / On (8 programmable zones)	
Sens-up (Frame Integration)	2x ~ 512x	
Gain Control	Off / Low / Middle / High	
White Balance	ATW / Outdoor / Indoor / Manual / AWC (1,800°K ~ 10,500°K)	
Electronic Shutter Speed	1/60 ~ 1/120,000sec	1/50 ~ 1/120,000sec
Reverse	H-Rev (Off / On)	
Communication	Coaxial control (SPC-300 compatible)	
Protocol	Coax : Pelco-C (Coaxitron)	
IR Distance	20m (IR LED 12ea)	
ENVIRONMENTAL		
Operating Temperature / Humidity	-10°C ~ +55°C (+14°F ~ +131°F) / Less than 90% RH	
Ingress Protection	IP66 grade	
ELECTRICAL		
Input Voltage / Current	Dual (24V AC & 12V DC ±10%)	
Power Consumption	Max. 3.3W	
MECHANICAL		
Color / Material	Ivory / Aluminum, Plastic (Dome cover : Smoked)	
Dimensions (WxHxD)	Ø137.0 x 106.0mm (Ø5.39" x 4.17")	
Weight	713g (1.57 lb)	

Dimensions

Unit : mm (inch)



Accessory (Optional)



The Eco mark represents Samsung Techwin's will to create environment-friendly products, and indicates that the product satisfies the EU RoHS Directive.

DISTRIBUTED BY

Design and specifications are subject to change without notice.



SAMSUNG TECHWIN