

SAMSUNG

# Capture every detail



High Resolution Weatherproof 37x IR PTZ Dome Camera

## SCP-2370RH

The SCP-2370RH is a professional high speed infra red PTZ (Pan/Tilt/Zoom) camera featuring 37x optical zoom and built-in 2ea IR LEDs to provide high resolution image at night for up to 100m distance. The dome changes its infra red intensity to provide the appropriate amount of IR light at a certain zoom ratio, allowing the SCP-2370RH to capture details clearly at night. Embedded with Samsung's W-5 chipset, the SCP-2370RH offers true day & night, motion detection, and SSNR III, the 3rd generation of Samsung Super Noise Reduction to deliver clear and vivid images. Also its built-in fan & heater and IP66 rated housing will make the SCP-2370RH a suitable for any challenging condition.

- High Resolution of 600TV Lines ( Color ), 700TV Lines ( B/W )
- Min. Illumination 0 Lux @F1.6 ( IR LED On ), 0.2Lux @F1.6 (Color), 0.02Lux (B/W)
- Powerful 37x Zoom (3.5 ~ 129.5mm), Digital 16x
- True Day & Night (ICR), MD, SSNR III (3D+2D Noise Reduction)
- IP66, Coaxial Control (Pelco-C), RS-485, 24V AC
- IR intensity adjustment with zooming in/out ratio

# High Resolution Weatherproof 37x IR PTZ Dome Camera

## SCP-2370RH

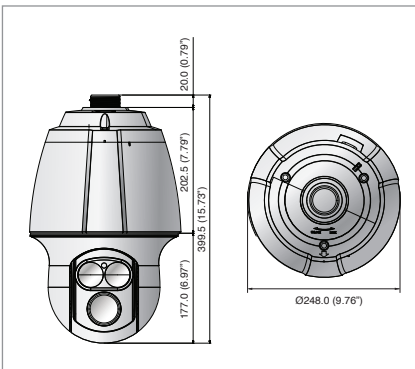


### Specifications

	SCP-2370RHN	SCP-2370RHP
<b>VIDEO</b>		
Imaging Device	1/4" Super HAD II CCD	
Total Pixels	811(H) x 508(V)	795(H) x 596(V)
Effective Pixels	768(H) x 494(V)	752(H) x 582(V)
Scanning System	2 : 1 Interlace	
Synchronization	Internal / Line Lock	Internal / Line Lock
Frequency	H : 15.734KHz / V : 59.94Hz	H : 15.625KHz / V : 50Hz
Horizontal Resolution	Color : 600 TV lines / BW : 700 TV lines	
Min. Illumination	0Lux (IR LED on) Color : 0.2 Lux (F1.6, 50IRE), B/W : 0.02 Lux (F1.6, 50IRE)	
S / N Ratio	52dB (AGC off, Weight on)	
Video Output	CVBS : 1.0 Vp-p / 75Ω composite	
<b>LENS TYPE</b>		
Focal Length (Zoom Ratio)	3.5~129.5mm ( Optical 37x )	
Max. Aperture Ratio	1:1.6 (Wide) ~ 3.9 (Tele)	
Angular Field of View	H : 55.5°(Wide) ~ 1.59°(Tele) / V : 42.5°(Wide) ~ 1.19°(Tele)	
Min. Object Distance	1.5m (59.06")	
Focus Control	Auto / Manual / One Shot	
Zoom Movement Speed	2.8 sec	
<b>PAN / TILT</b>		
Pan Range	360° Endless	
Pan Speed	Preset : 250°/sec / Manual : 0.024°/sec ~ 120°/sec (Proportional zoom ratio)	
Tilt Range	-5° ~ 185°	
Tilt Speed	Preset : 250°/sec / Manual : 0.024°/sec ~ 120°/sec (Proportional zoom ratio)	
Preset	255	
Preset Accuracy	±0.1°	
<b>OPERATIONAL</b>		
On Screen Display	English, Japanese, Spanish, French, Portuguese, Taiwanese, Korean	English, French, German, Spanish, Italian, Chinese, Russian, Polish, Czech, Turkish, Portuguese
Camera Title	Off / On (Displayed 12 characters)	
Day & Night	Auto (ICR) / Color / B/W	
Backlight Compensation	BLC / HLC / Off	
Contrast Enhancement	SSDR ( Off/On )	
Digital Noise Reduction	SSNR III ( Off/On )	
Digital Image Stabilization	Off / On	
Motion Detection	Off / On	
Privacy Masking	Off / On (8 programmable zones)	
Sens-up (Frame Integration)	2x ~ 512x	
Gain Control	Off / Low / High	
White Balance	ATW / Outdoor / Indoor / Manual / AWC (1,700K° ~ 11,000K°)	
Electronic Shutter Speed	1/60 ~ 1/120,000 sec	1/50 ~ 1/120,000 sec
Digital Zoom	Off / On (2x ~ 16x)	
Digital Flip	Off / On	
Schedule	Day / Time	
Alarm	8 In 3 Out	
Communication	Coaxial Control ( SPC-300 Compatible ), RS-485/422	
Protocol	Coax : Pelco-C ( Coaxitron ) RS-485 : SAMSUNG-T/E, PELCO-D/P, PANASONIC, BOSCH, HONEYWELL, VICON, AD, GE	
IR Distance	100m ( 850nm IR LED : 2EA )	
<b>ENVIRONMENTAL</b>		
Operating Temperature / Humidity	-50°C ~ +55°C (-58°F ~ +131°F) / Less than 100% RH	
Ingress Protection	IP66	
<b>ELECTRICAL</b>		
Input Voltage/Current	24V AC±10%	
Power Consumption	Max. 15W / 90W (Fan & Heater on)	
<b>MECHANICAL</b>		
Color / Material	Ivory, Aluminum	
Dimension (WxHxD)	Ø248x399.5mm (Ø9.76" x 15.73")	
Weight	6Kg (13.23lb)	

### Dimensions

Unit : mm (inch)



Design and specifications are subject to change without notice.

SAMSUNG TECHWIN CO., LTD.



■ DISTRIBUTED BY

