

Powerful yet Compact

The SCP-2273/2273H is a high-resolution 680TV lines PTZ dome that hosts a powerful 27x optical zoom lens. The excellent 0.2/0.01Lux low light performance is further enhanced by Samsung's SSNR III noise reduction technology. Advanced features further improve the dome's capabilities such as; alarm schedules, highlight compensation, privacy masks and two control options RS-485 and the cable saving coaxial control. The SCP-2373H is protected against dust, heavy rain (IP66) and high temperature variations -50°C ~ +55°C.

SCP-2273/2273H

High Resolution 27x PTZ Dome Camera

- High resolution of 680TV lines
- Min. illumination 0.2Lux@F1.6 (Color), 0.01Lux (B/W)
- Powerful 27x Zoom (3.5 ~ 94.5mm), Digital 16x
- True Day & Night (ICR), MD, SSNR III
- Coaxial control (Pelco-C), RS-485, 24V AC
- IP66 (SCP-2273H)



High Resolution 27x PTZ Dome Camera SCP-2273/2273H

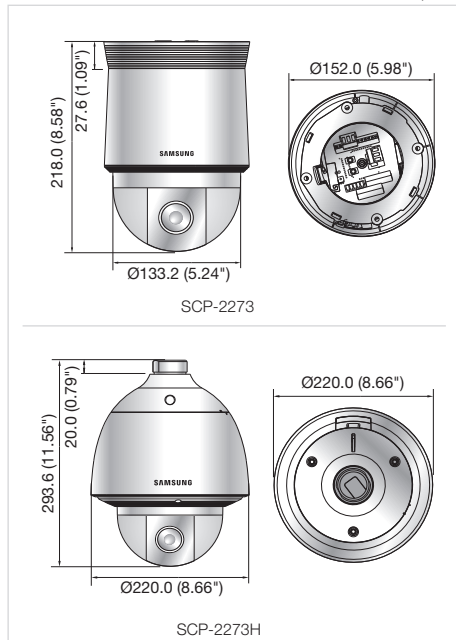


Specifications

	SCP-2273N/2273HN	SCP-2273P/2273HP
VIDEO		
Imaging Device	1/4" Sony 960H Ex-view HAD CCD II	
Total Pixels	1,020(H) x 508(V)	1,020(H) x 596(V)
Effective Pixels	976(H) x 494(V)	976(H) x 582(V)
Scanning System	2 : 1 Interlace	
Synchronization	Internal / Line lock	
Frequency	H : 15.734KHz / V : 59.94Hz	H : 15.625KHz / V : 50Hz
Horizontal Resolution	Color : 680TV lines, B/W : 680TV lines	
Min. Illumination	Color : 0.2Lux@F1.6 (50IRE), 0.0004Lux (Sens-up, 512x) B/W : 0.01Lux@F1.6 (50IRE), 0.00002Lux (Sens-up, 512x)	
S / N Ratio	52dB (AGC off, Weight on)	
Video Output	CVBS : 1.0 Vp-p / 75Ω composite	
LENS		
Focal Length (Zoom Ratio)	3.5 ~ 129.5mm (Optical 37x)	
Max. Aperture Ratio	1 : 1.6(Wide) ~ 3.9(Tele)	
Angular Field of View	H : 56.26°(Wide) ~ 1.62°(Tele) / V : 43.28°(Wide) ~ 1.22°(Tele)	
Min. Object Distance	1.8m (5.91ft)	
Focus Control	Auto / Manual / One shot	
Zoom Movement Speed	3.1sec (Wide to tele)	
PAN / TILT		
Pan Range	360° Endless	
Pan Speed	Preset : 500°/sec, Manual : 0.024°/sec ~ 120°/sec (Proportional zoom ratio)	
Tilt Range	-5° ~ 185°	
Tilt Speed	Preset : 500°/sec, Manual : 0.024°/sec ~ 120°/sec (Proportional zoom ratio)	
Preset	255	
Preset Accuracy	±0.1°	
OPERATIONAL		
On Screen Display	English, Japanese, Spanish, French, Portuguese, Korean	English, French, German, Spanish, Italian, Chinese, Russian, Polish, Czech, Turkish, Portuguese
Camera Title	Off / On (Displayed 12 characters)	
Day & Night	Auto (ICR) / Color / B/W	
Backlight Compensation	Off / BLC / HLC	
Contrast Enhancement	SSDR (Off / On)	
Digital Noise Reduction	SSNRIII (Off / On)	
Digital Image Stabilization	Off / On	
Motion Detection	Off / On	
Privacy Masking	Off / On (8 programmable zones)	
Sens-up (Frame Integration)	2x ~ 512x	
Gain Control	Off / Low / Medium / High / Manual	
White Balance	ATW / Outdoor / Indoor / Manual / AWC (1,700°K ~ 11,000°K) / Mercury	
Electronic Shutter Speed	1/60 ~ 1/120,000sec	1/50 ~ 1/120,000sec
Digital Zoom	Off / On (1x ~ 16x)	
Digital Flip	Off / On	
Schedule	Day / Time	
Alarm	8 In 3 Out	
Communication	Coaxial control (SPC-300 compatible), RS-485/422	
Protocol	Coax : Pelco-C (Coaxitron) RS-485/422 : Samsung-T/E, Pelco-D/P, Panasonic, Bosch, Honeywell, Vicon, AD, GE	
ENVIRONMENTAL		
Operating Temperature / Humidity	-10°C ~ +55°C (+14°F ~ +131°F) / Less than 90% RH : SCP-2273 -50°C ~ +55°C (-58°F ~ +131°F) / Less than 90% RH : SCP-2273H	
Ingress Protection	IP66 grade (SCP-2273H only)	
ELECTRICAL		
Input Voltage / Current	24V AC ±10%	
Power Consumption	Max. 15W : SCP-2273, Max. 15W / 60W (Fan & heater on) : SCP-2273H	
MECHANICAL		
Color / Material	Ivory / Plastic (Dome cover : Clear) : SCP-2273 Ivory / Aluminum, Plastic (Dome Cover : Clear) : SCP-2273H	
Dimensions (WxH)	Ø152.0 x 218.0mm (Ø5.98" x 8.58") : SCP-2273 Ø220.0 x 293.6mm (Ø8.66" x 11.56") : SCP-2273H	
Weight	1.6Kg (3.53 lb) : SCP-2273, 3.1Kg (6.83 lb) : SCP-2273H	

Dimensions

Unit : mm (inch)



Accessories (Optional)



The **Eco mark** represents Samsung Techwin's will to create environment-friendly products, and indicates that the product satisfies the EU RoHS Directive.

Design and specifications are subject to change without notice.

■ DISTRIBUTED BY

